



Specialist for Pumping Technology

INNOVATION
EFFICIENCY
QUALITY



RON & RON-D

Two Stage Heavy Duty Process Pump



For more than 60 years the name Ruhrpumpen has been synonymous worldwide with innovation and reliability for pumping technology

Ruhrpumpen is an innovative and efficient centrifugal pump technology company that offers a wide range of quality products to our clients. Ruhrpumpen is committed to global excellence with a complete range of Pumps, Fire Pump Packages and related products, such as Decoking Systems and Tools to support the core markets, namely Oil & Gas, Petrochemical, Power, Heavy Industry Applications, Mining and Water Services.

The broad product line complies with the most demanding quality specifications and goes beyond stringent industry standards such as API, ANSI, Hydraulic Institute, Underwriter's Laboratories, Factory Mutual and ISO 9001.

Ruhrpumpen is a vertically integrated company with its own foundry, machine shop, pump manufacturing plants and service centers. With strategically located Manufacturing Plants, Operating Offices and Service Centers in many parts of the world, Ruhrpumpen is truly a global pump company which also has the strength to focus on the local necessities of each client.

RON Model

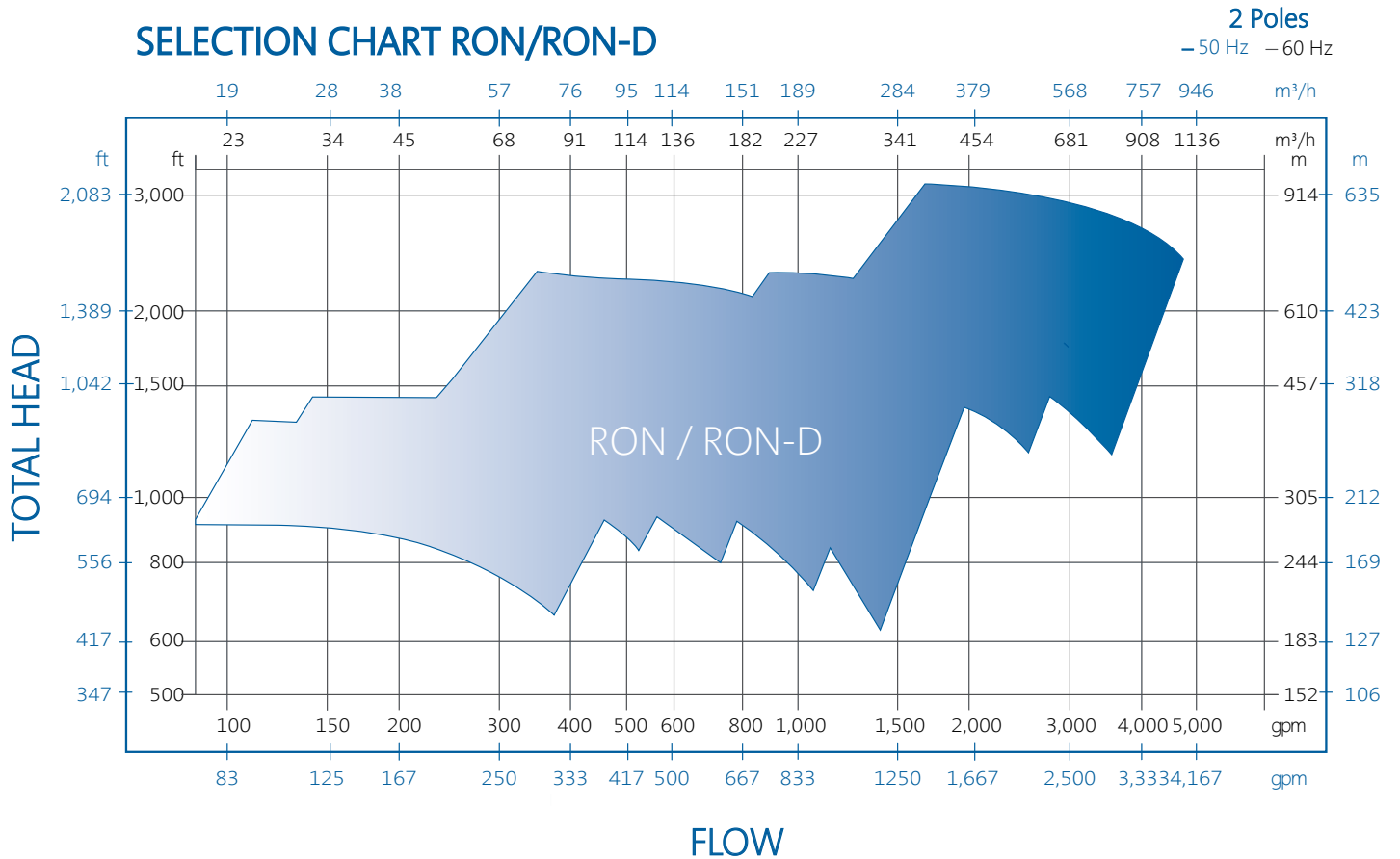
The RON and RON-D model pump is a heavy-duty centrifugal process pump. The range comprises 10 sizes that are two stage design. (Other required sizes may be designed upon request). They can be operated at the speeds shown in the selection charts, and even higher speeds are possible under certain conditions.

RON and RON-D model pumps meet the stringent specifications of API 610 latest edition.

These pumps can be adapted to meet the needs of customers individual applications and specifications.



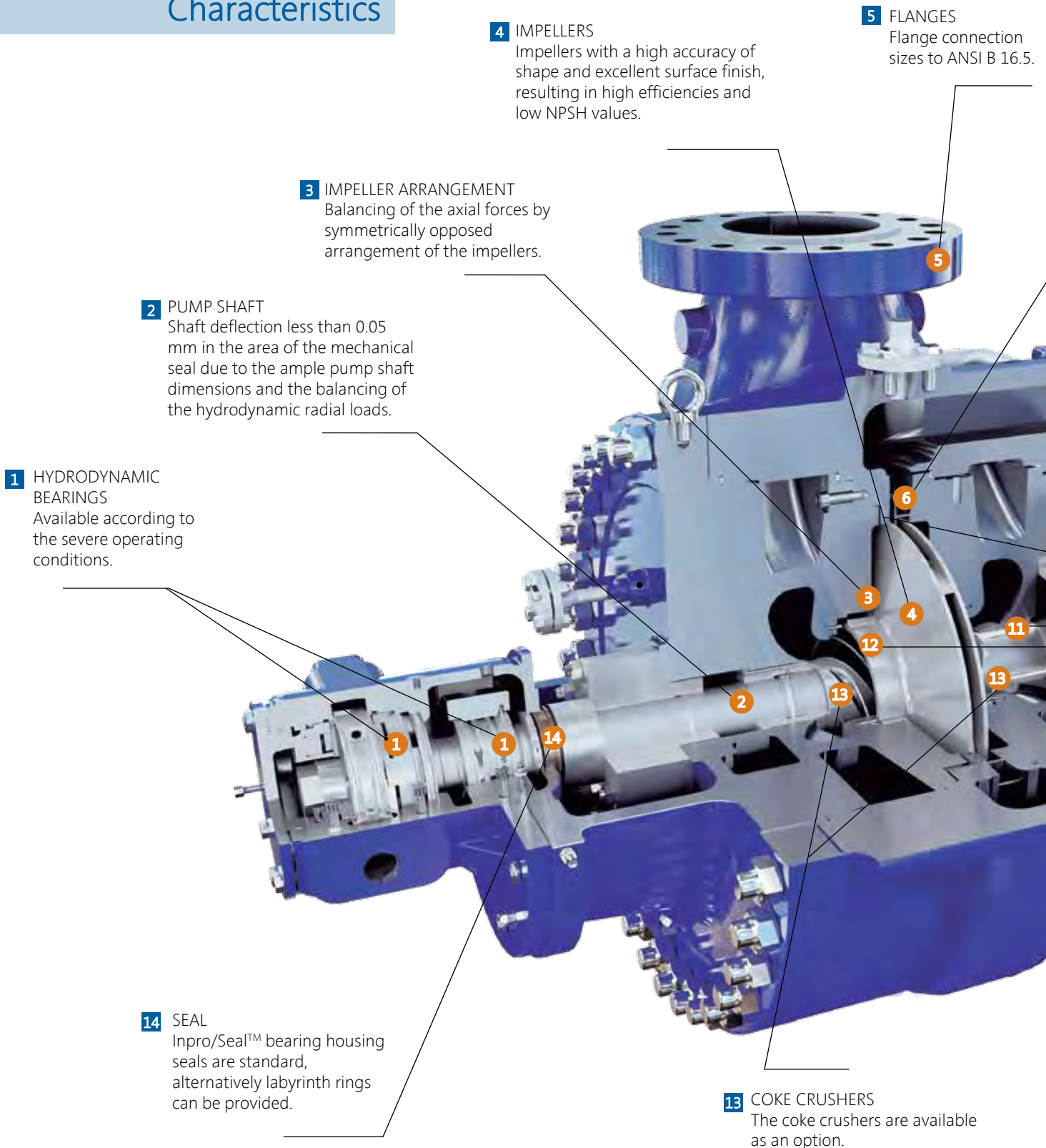
Performance Range



RON-D
Double Suction
First Stage Impeller



Characteristics



1 HYDRODYNAMIC BEARINGS
Available according to the severe operating conditions.

2 PUMP SHAFT
Shaft deflection less than 0.05 mm in the area of the mechanical seal due to the ample pump shaft dimensions and the balancing of the hydrodynamic radial loads.

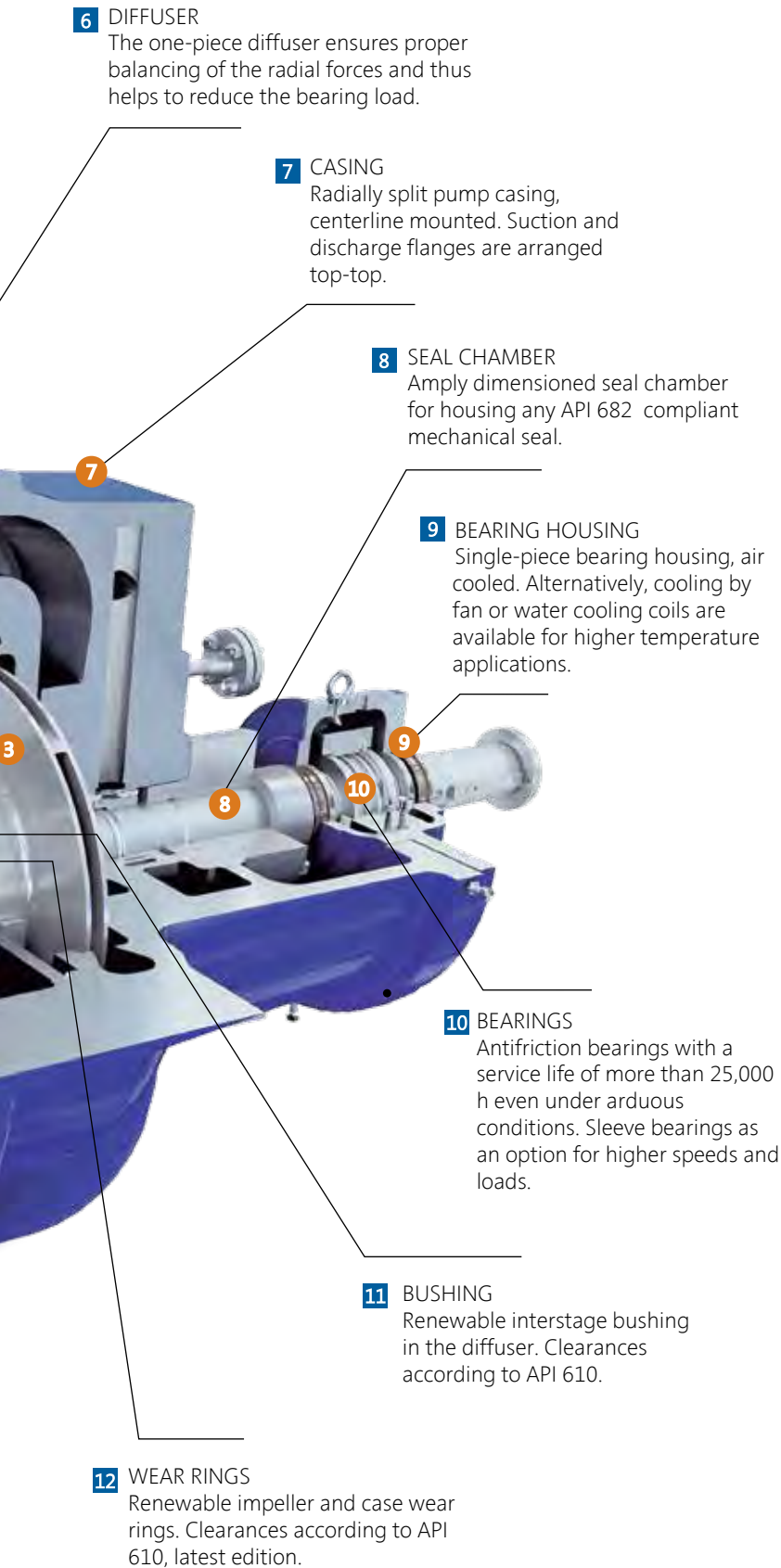
3 IMPELLER ARRANGEMENT
Balancing of the axial forces by symmetrically opposed arrangement of the impellers.

4 IMPELLERS
Impellers with a high accuracy of shape and excellent surface finish, resulting in high efficiencies and low NPSH values.

5 FLANGES
Flange connection sizes to ANSI B 16.5.

14 SEAL
Inpro/Seal™ bearing housing seals are standard, alternatively labyrinth rings can be provided.

13 COKE CRUSHERS
The coke crushers are available as an option.



Description

PRODUCT DESCRIPTION

- Horizontal arrangement.
- Two stage.
- Single suction, opposed impeller arrangement (RON).
- Double suction first stage impeller (RON-D).
- Centerline mounted.
- API 610 latest edition construction.

MATERIAL OF CONSTRUCTION

All API material classes available:

- Carbon Steel
- Cast Chrome Nickel Steel
- Stainless Steel

BROAD APPLICATION RANGE

- Refineries
- Oil Fields
- Petrochemical Plants
- Chemical Plants
- Reverse Osmosis

RON (-D) PERFORMANCE DATA

Capacity	up to 1,200 m ³ /h	3,520 gpm
Head	up to 1,000 m	2,296 ft
Pressure	up to 90 bar	1,305 psi
Temperature	up to 450 °C	up to 750 °F

Note: For pump operations outside this range, please contact a Ruhrpumpen Representative.

Optional Features

- RON-D model available with double suction first stage impeller.
- Suction / Discharge RF flanges available as 150#, 300#, 600# or 900# rating.
- Tapered shaft design on larger diameters.
- Different bearing housing versions available (pure antifriction, pure sleeve, combination radial sleeve/axial antifriction).
- Different methods of bearing lubrication available (CLO, oil mist, pressurized oil on sleeve bearings).



Hydrodynamic Bearings



Double Suction Impeller

Benefits

- Wide range of flange standards available
- All materials according to ASME, DIN/ISO and BS are acceptable
- Easy maintenance and inspection due to the radial split pull-out design
- Opposed impeller arrangement will balance axial rotor forces which increases reliability.
- Low-vibration operation due to dynamic balancing both of the individual impellers and the complete rotor



Other Ruhrpumpen Products



Horizontal Process Pump Single Stage with Permanent Magnetic Drive

It is a permanent magnetic drive, single stage, overhung.

Petroleum Refining, Petrochemical, Refineries, Heavy-Duty Chemical, Gas Industry Services, Power Plants and Utilities.



Horizontally Split Multi Stage Diffuser Casing

Heavy-duty centrifugal pumps for universal applications.

Refineries, Oil Fields, Petrochemical Plants, Chemical Plants, Pipeline, Power Plants, Boiler Circulation and Desalination.



Multi-Stage, Axially Split Casing Pump

Axially split, horizontal multi-stage, centrifugal pump, near-centerline mounted, single/double suction, radial, closed impeller.

Oil Fields and Terminals, Water Pipelines, Fluid Injection and High Pressure Services.



Multistage Barrel Back-to-Back

AB-Heavy-duty, high pressure, multi-stage centrifugal process pumps for arduous conditions in process-technological applications.

Fire Service, Air Conditioning Systems, Condensed Water, Ice Water, Service Water, Ocean Water, Building Water Supply Systems.



With every project you can count on **QUALITY, SERVICE, EXPERTISE, INNOVATION** and **COMPETITIVENESS**.
Because we have a commitment with each customer, the community and the world.
We are Ruhrpumpen the specialist for pumping technology!



RUHRPUMPEN PLANTS

-  USA, Tulsa & Orland
-  MEXICO, Monterrey
-  BRAZIL, Rio De Janeiro
-  ARGENTINA, Buenos Aires
-  GERMANY, Witten
-  EGYPT, Suez
-  INDIA, Chennai
-  CHINA, Changzhou
-  UK, Lancing
-  RUSSIA, Moscow

More Information:

