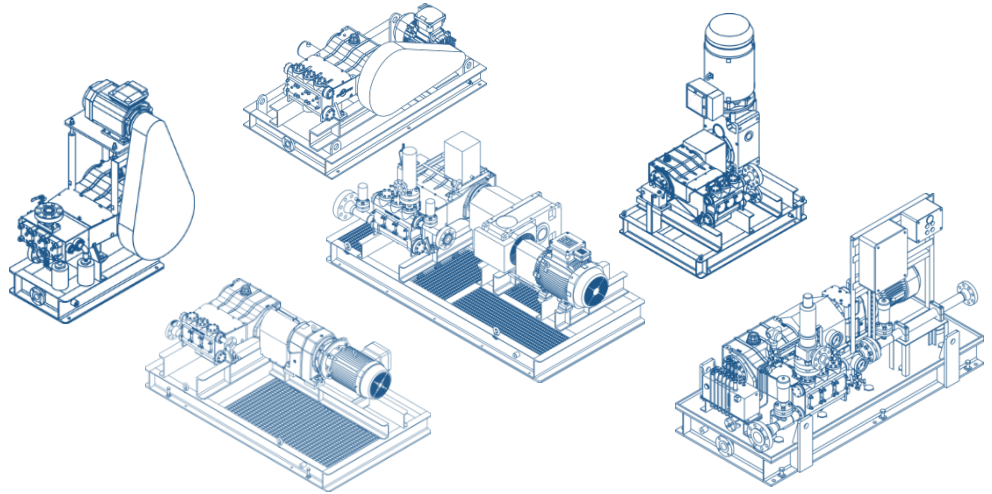


Horizontal Reciprocating Triplex Plunger Pumps acc. to API 674 (ISO 13710) & available ATEX Certified



DRIVE OPTIONS

- Gearbox
- V Belt
- Motor
- VSD Drive
- Hydraulic Motor
- Air Motor
- Diesel Engine
- Gas Engine
- Steam Turbine



RDP 50

RDP 70

RDP 100

PERFORMANCE

Flows up to 6 m³/hr

Fluid Head pressure rating up to 1100 bar

Max RPM 450 (API)
Max Power 22.5 kW (Nom)

Temperature range: -30 to 400°C

Stroke 50 mm
Max Plunger Ø45mm
Suction Bore 1.5"
Discharge Bore 3/4"
Max Rod Load 2000kg

Flows up to 12 m³/hr

Fluid Head pressure rating up to 1100 bar

Max RPM 400 (API)
Max Power 50kW (Nom)

Temperature range: -30 to 400°C

Stroke 70 mm
Max Plunger Ø55mm
Suction Bore 2"
Discharge Bore 1"
Max Rod Load 3500kg

Flows up to 33 m³/hr

Fluid Head pressure rating up to 1100 bar

Max RPM 350 (API)
Max Power 100kW (Nom)

Temperature range: -30 to 400°C

Stroke 100 mm
Max Plunger Ø80mm
Suction Bore 4"
Discharge Bore 3"
Max Rod Load 5500kg

APPLICATIONS

Various clean or slightly contaminated liquids in oil and gas processes
Methanol injection
Glycol circulation
Reverse osmosis
Water treatment
Water injection
Water jetting
Condensate
Closed drains pumps
Slops injection

Various clean or slightly contaminated liquids in oil and gas processes
Methanol injection
Glycol circulation
Reverse osmosis
Water treatment
Water injection
Water jetting
Boiler feed
Condensate
Closed drains pumps
Slops injection

Various clean or slightly contaminated liquids in oil and gas processes
Methanol injection
Glycol circulation
Reverse osmosis
Water jetting
Boiler feed
Condensate
Closed drains pumps
Slops injection

DESIGN
UK MADE
ASSEMBLY
TESTING
SPARES
TRAINING
SERVICE



RDP 150

RDP 200

PERFORMANCE

Flows up to 57 m³/hr

Fluid Head pressure rating up to 1100 bar

Max RPM 270 (API)
Max Power 152kW (Nom)

Temperature range: -30 to 400°C

Stroke 150 mm
Max Plunger Ø100mm
Suction Bore 6"
Discharge Bore 4"
Max Rod Load 7500kg

Flows up to 90 m³/hr

Fluid Head pressure rating up to 1000 bar

Max RPM 210 (API)
Max Power 315kW (Nom)

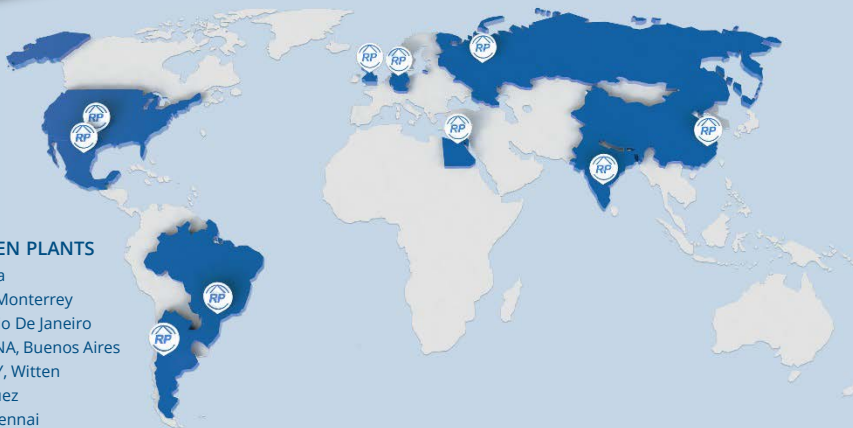
Temperature range: -30 to 400°C

Stroke 200 mm
Max Plunger Ø120mm
Suction Bore 6"
Discharge Bore 4"
Max Rod Load 15000kg

APPLICATIONS

For large flow rates on clean or slightly contaminated liquids in oil and gas processes
Glycol circulation
Reverse osmosis
Water treatment
Boiler feed
Hydrocarbon condensate
Closed drains pumps
Slops injection

For large flow rates on clean or slightly contaminated liquids in oil and gas processes
Glycol circulation
Reverse osmosis
Water treatment
Boiler feed
Hydrocarbon condensate
Closed drains pumps
Slops injection



RUHRPUMPEN PLANTS

- USA, Tulsa
- MEXICO, Monterrey
- BRAZIL, Rio De Janeiro
- ARGENTINA, Buenos Aires
- GERMANY, Witten
- EGYPT, Suez
- INDIA, Chennai
- CHINA, Changzhou
- UK, Lancing
- RUSSIA, Moscow

Ruhrpumpen UK Ltd

22 Commerce Way, Lancing Business Park, West Sussex. BN15 8TA.
T: +44 (0)1273 956410 E: salesuk@ruhrpumpen.com

