



Specialist for Pumping Technology

INNOVATION
EFFICIENCY
QUALITY



In-Line Pumps

III / IVP / IVP-CC

For more than 60 years the name Ruhrpumpen™ has been synonymous worldwide with innovation and reliability for pumping technology

Ruhrpumpen is an innovative and efficient centrifugal pump technology company that offers operators of Pump Systems and a wide range of quality products. Ruhrpumpen is committed to global excellence with a complete range of Pumps, Fire Pump Packages and related products, such as Decoking Systems and Tools to support the core markets, namely Oil & Gas, Petrochemical, Power, Heavy Industry Applications, Mining and Water Services.

The broad product line complies with the most demanding quality specifications and goes beyond stringent industry standards such as API, ANSI, Hydraulic Institute, Underwriter's Laboratories, Factory Mutual and ISO 9001.

Ruhrpumpen is a vertically integrated company with its own foundry, machine shop, pump manufacturing plants and service centers. With strategically located manufacturing plants, operating offices and service centers in many parts of the world, Ruhrpumpen is truly a global pump company which also has the strength to focus on the local necessities of each client.

IIL ANSI Pumps (OH5)



The IIL pumps meet the requirements of ANSI B73.2. The integral one-piece unit, suitable for in-line pedestal mounting has fully enclosed, balanced, one-piece design impellers. The casing has flanged suction and discharge on common centerline and its top pull-out design simplifies maintenance.



IVP Pumps (OH4)

The new Ruhrpumpen IVP In-Line Pump design allows direct connection to the pipelines which reduces installation costs and minimizes the footprint (floor space). These pumps are designed to make the maintenance of the unit easier in every possible way, reducing down time and maintenance costs, and also ensuring prolonged life. With both configurations, split-coupled and close coupled design. The replacement of the mechanical seal becomes fast and simple, without disconnecting the pump from the pipeline or removing the motor (Not available for IVP-CC). Options exist to select between internally or externally mounted mechanical seal, which allows choice between high performance or economical seals. The IVP Pump comes in 28 hydraulic sizes.

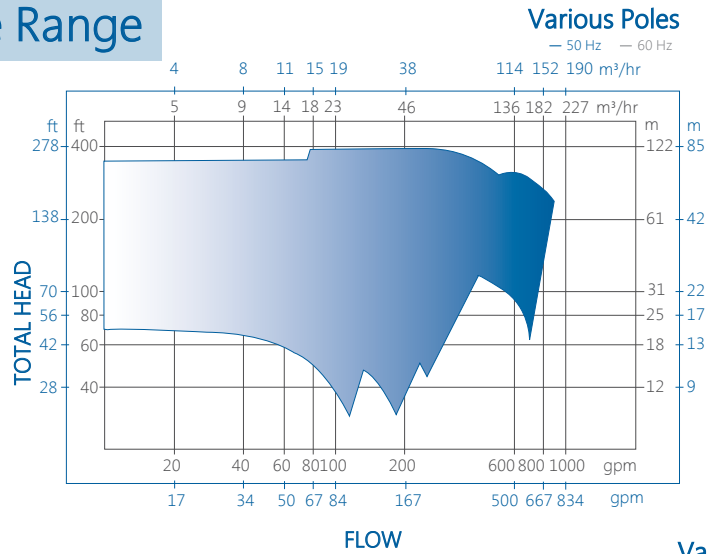


IVP-CC Close Coupled Pump

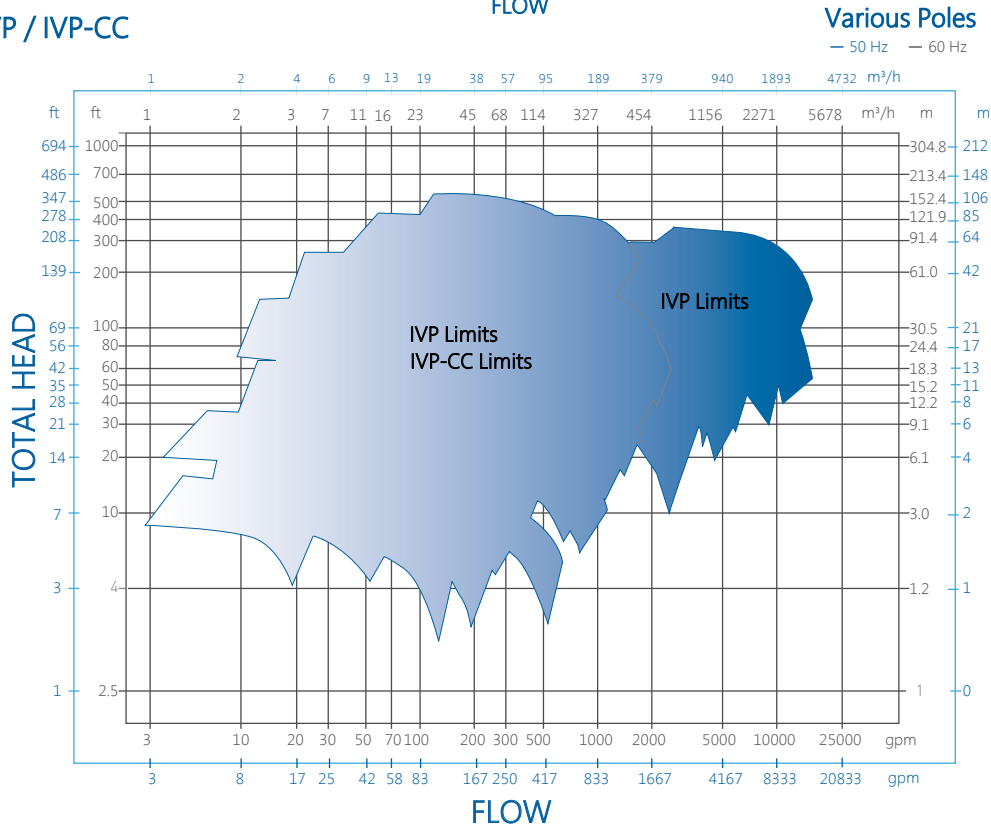
The IVP Close Coupled pump has the feature of case and impeller interchangeability with the IVP Split Coupled pump.

Performance Range

Selection Chart IIL



Selection Chart IVP / IVP-CC



In-Line Broad Applications Range

- Chemical
- Petrochemical
- Petroleum Coal
- Fiber
- Pulp and Paper
- Food and Beverage
- Pharmaceutical
- Fats and Oils
- Soap
- Paint
- Automotive
- Primary Metal
- Rubber
- Metal
- Fabrication
- Utility
- Fire Service
- Condensed Water
- Ice Water
- Service Water
- Fire Systems
- Ocean Water
- Air Conditioning Systems
- Building Water Supply Systems

Description IIL

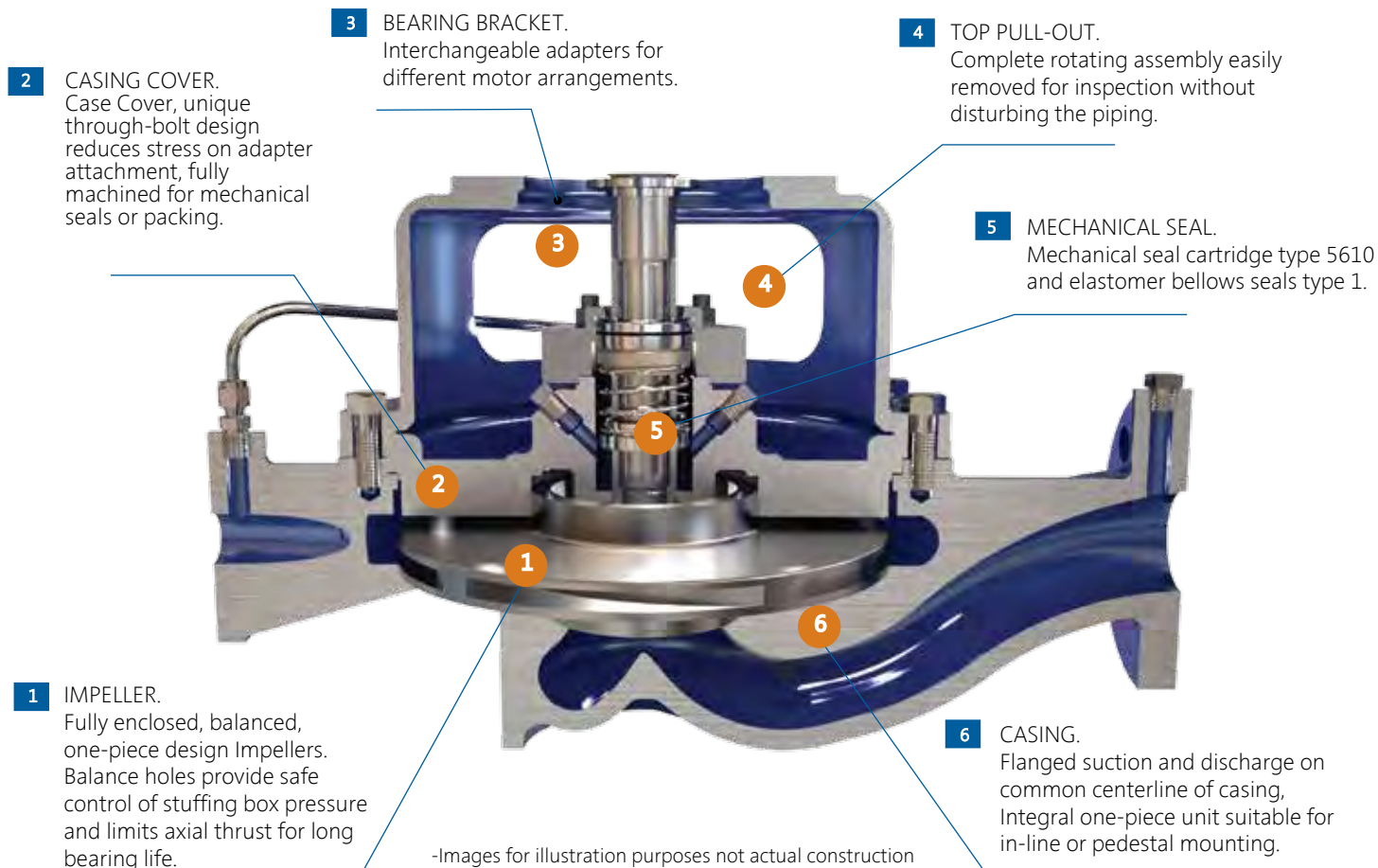
MATERIALS OF CONSTRUCTION

- Ductile Iron / Stainless Steel (CF8M)
- Stainless Steel (CF8M)
- Duplex
- Other Materials Available upon request
- We cover a large range of material options to satisfy every need, please contact us for more information

IIL PERFORMANCE DATA

Capacity	up to 227 m ³ /h	1000 U.S. gpm
Head	up to 122 m	400 ft
Pressure	up to 24.1 bar	350 psig
Temperature	up to 177 °C	350 °F

Note: For pump operation outside this range, please contact a Ruhrpumpen representative.



PRODUCT DESCRIPTION

- Top Pull-out simplifies maintenance
- Flanged suction and discharge in common centerline of casing
- Designed for working with pressures up to 350psi
- Fully enclosed, balanced, one-piece Impeller design
- Optional Wear Rings available
- Stuffing box cover
- Component Interchangeability
- Mechanical Seals Type 5610 and Type 1, for other options, please contact us
- Meet the dimensional ANSI B 73.2 standards
- Close Coupled Design
- All IIL pumps can be mounted vertically
- Space saving design allows for use in tight installations or modular packages

Description IVP

MATERIALS OF CONSTRUCTION

Ruhrpumpen's IVP pump is designed in:

- Cast Iron/ SST (CF8)

IVP PERFORMANCE DATA

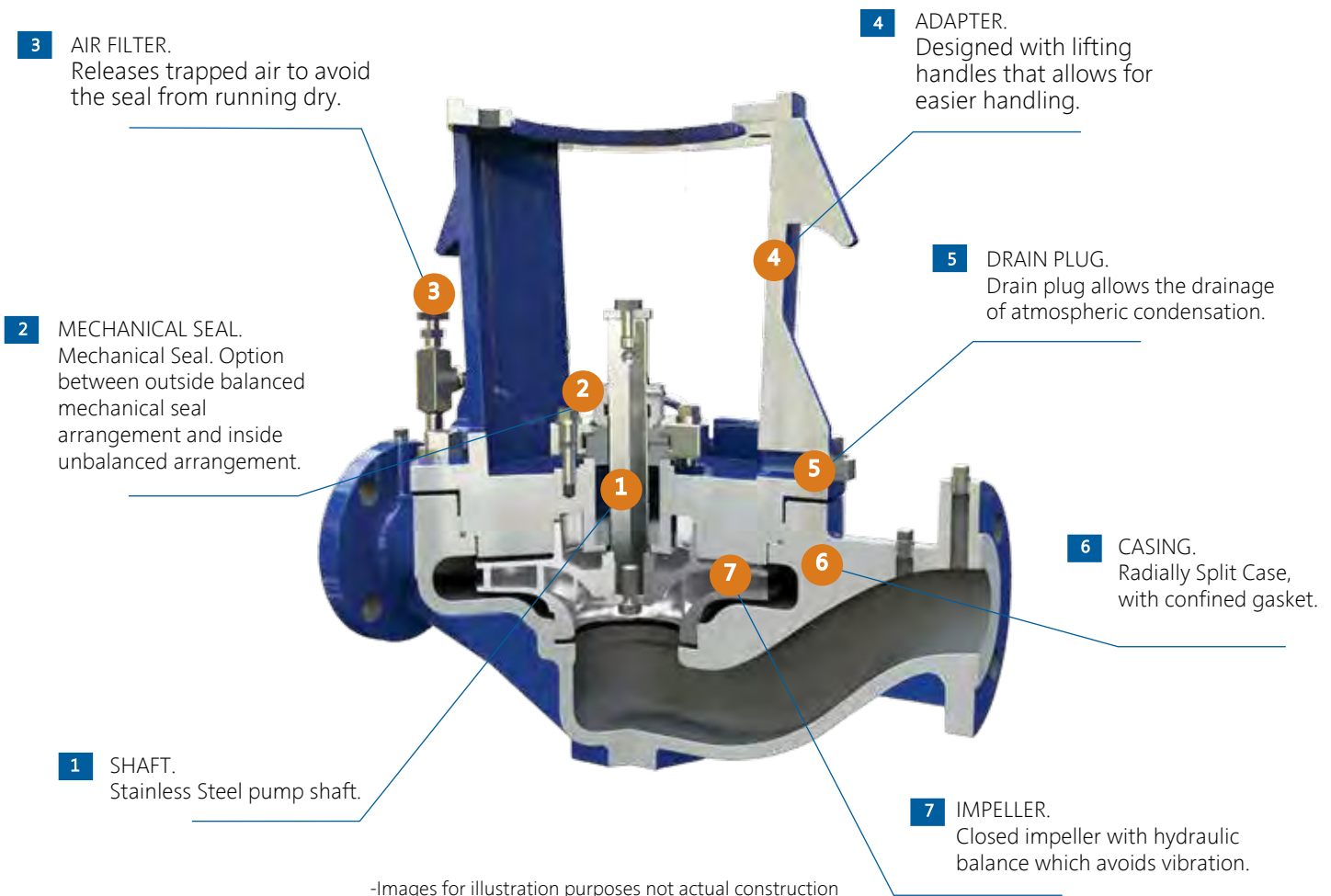
Capacity up to 2,271 m³/h 10,000 U.S. gpm

Head up to 122 m 200 ft

Pressure up to 19 bar 275 psig

Temperature -45 °C to 150 °C -50 °F to 300 °F

Note: For pump operation outside this range, please contact a Ruhrpumpen representative.



PRODUCT DESCRIPTION

- Split-coupling simplifies maintenance and allows an easy access to the mechanical seal without disconnecting the pump or removing the motor
- Flanged suction and discharge in common center line
- Designed for working with pressures up to 375 PSI fully enclosed, balanced, one-piece Impeller design
- Coupling Guard for protection during operation
- Water Drainer to avoid condensed water collection

Description IVP-CC

MATERIALS OF CONSTRUCTION

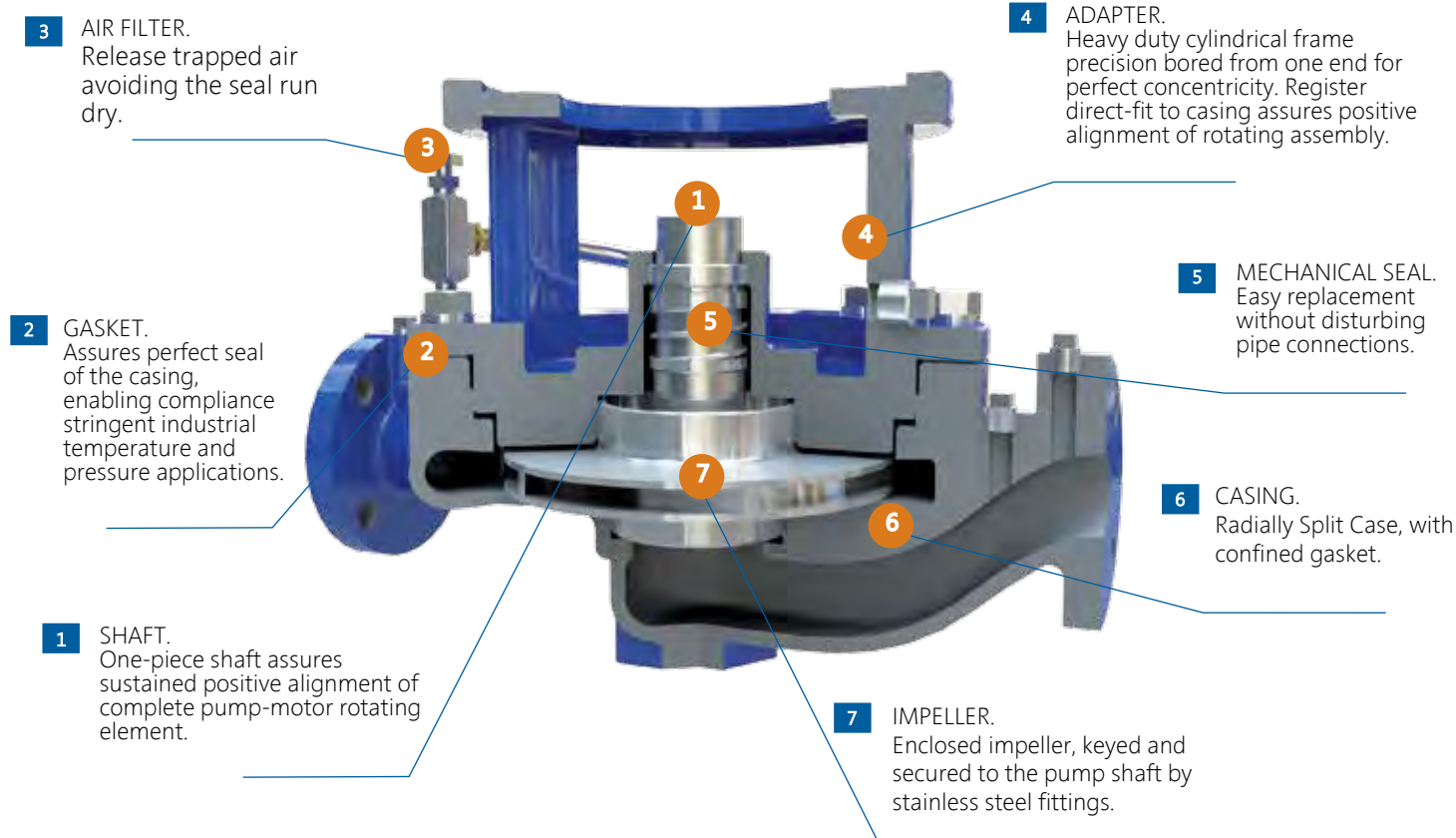
Ruhrpumpen's IVP-CC pump is designed in:

- Cast Iron/ SST (CF8)

IVP-CC PERFORMANCE DATA

Capacity	up to .10 m ³ /h	1,616 U.S. gpm
Head	up to 122 m	to 200 ft
Pressure	up to 5.46 bar	79.21 psig
Temperature	-45 °C to 150 °C	-50 °F to 300 °F

Note: For pump operation outside this range, please contact a Ruhrpumpen representative.



-Images for illustration purposes not actual construction

PRODUCT DESCRIPTION

- Single stage, single suction vertical in-line pump
- Close-coupling
- Radially split casing with side-side suction and discharge configuration
- Fully enclosed impeller dynamically balanced which avoids vibration
- Top Pull-Out allows complete rotating assembly easily removed for inspection without disturbing piping
- Flanged suction and discharge, aligned to center line
- Case and impeller of some sizes are interchangeable with IVP split coupled

In-Line Pump Benefits

IIL In-Line

ANSI Drop-in replacement.
Immediate solution.



ANSI sizes. No need to change pipeline.

IIL & IVP

Easy Maintenance



- Complete rotating assembly easily removed for inspection without disturbing piping
- Full circle register protected by Confined gasket assures permanent alignment

IVP

Compact Design



- IVP saves floor spacing with its compact footprint
- IVP's Coupling Guard protects the pump operator during working periods

IVP-CC



The IVP Close Coupled design generates a cost savings for the Pump Operations.

Fire Fighting



The IIL & IVP pumps are available for fire fighting applications.



RUHRPUMPEN PLANTS

-  USA, Tulsa & Orland
-  MEXICO, Monterrey
-  BRAZIL, Rio De Janeiro
-  ARGENTINA, Buenos Aires
-  GERMANY, Witten
-  EGYPT, Suez
-  INDIA, Chennai
-  CHINA, Changzhou

More Information:

